

RAVAS ProLine Touch

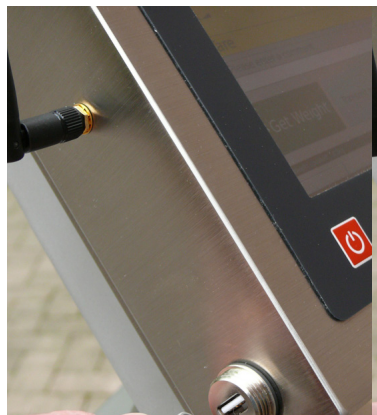
Pallet truck scale with programmable touch screen indicator



BENEFITS

- Superb accuracy
- Rotating touch screen indicator
- Programmable user interface
- Advanced scale functions, i.e. dosing
- USB port for data capture
- 12 hours battery life
- Shock absorber in the fork tips (by Premium and stainless chassis)

The hi-tech standard
Extremely accurate



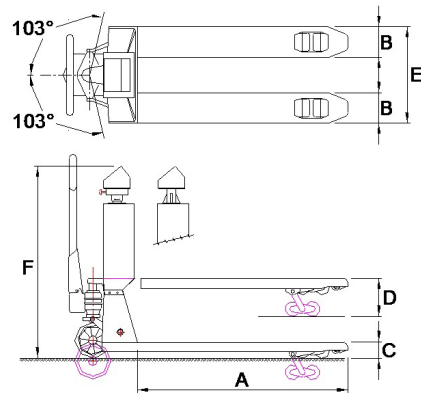
FUNCTIONS

- Automatic and manual zero correction
- Gross/net weighing
- Automatic and manual tare via touch screen
- Entry of alphanumeric codes
- Totalling with sequence number
- Piece counting by sampling or calculation of piece weights
- Error messages in display
- Internal clock

STANDARD SPECIFICATIONS

- Weighing capacity 2,000 kg
- Graduation multirange:
0 - 200 kg: graduation 0.1 kg
200 - 400 kg: graduation 0.2 kg
400 - 2,000 kg: graduation 0.5 kg
- Max. tolerance 0.08% of the load lifted
- Display 18 cm / 7.1 inch, high resolution
▪ touch screen
- Protection class load cells IP67, indicator IP65
- Power consumption 360 mA
- Battery 12V, by 4 exchangeable battery modules 6V-4,8Ah
- Battery life 12 hours, charging time 6 hours
- Charger 230V NiMH charger included
- Steering wheels rubber
- Loading wheels polyurethane, single
- Colour red (RAL 3000), epoxy painted
- Own weight 180 kg
- Pump quick lift

DIMENSIONS IN MM



	Standard Chassis	Premium Chassis	Stainless Steel
A Fork length	1160	1150	1150
B Fork width	180	170	170
C Minimum fork height	90	87	87
Minimum clearance	28	22	22
D Maximum fork height	200	205	205
Lifting height	110	120	120
E Width over forks	555	550	550
F Height to top indicator	1075	1125	1125
Shock absorber	No	Yes	Yes



• ISO 9001
• ISO 14001

PREMIUM OPTIONS*

- Client specific software
- 2 extra exchangeable batteries
- Built-in thermal printer
- Bluetooth or WLAN output
- Legal for trade version, OIML III

OPTIONS*

- 0.1 kg graduation, maximum 1,000 kg capacity
- Stainless steel fork shoes
- Premium quality steel pallet truck
- Premium quality stainless steel pallet truck

RAVAS Europe B.V.

P.O. Box 2023, NL-5300 CA Zaltbommel, The Netherlands
T. +31 (0)418 51 52 20, F. +31 (0)418 51 53 20
backoffice@ravas.com, www.ravas.com

* The use of options may change related specifications. rev.20160125 Changes reserved

